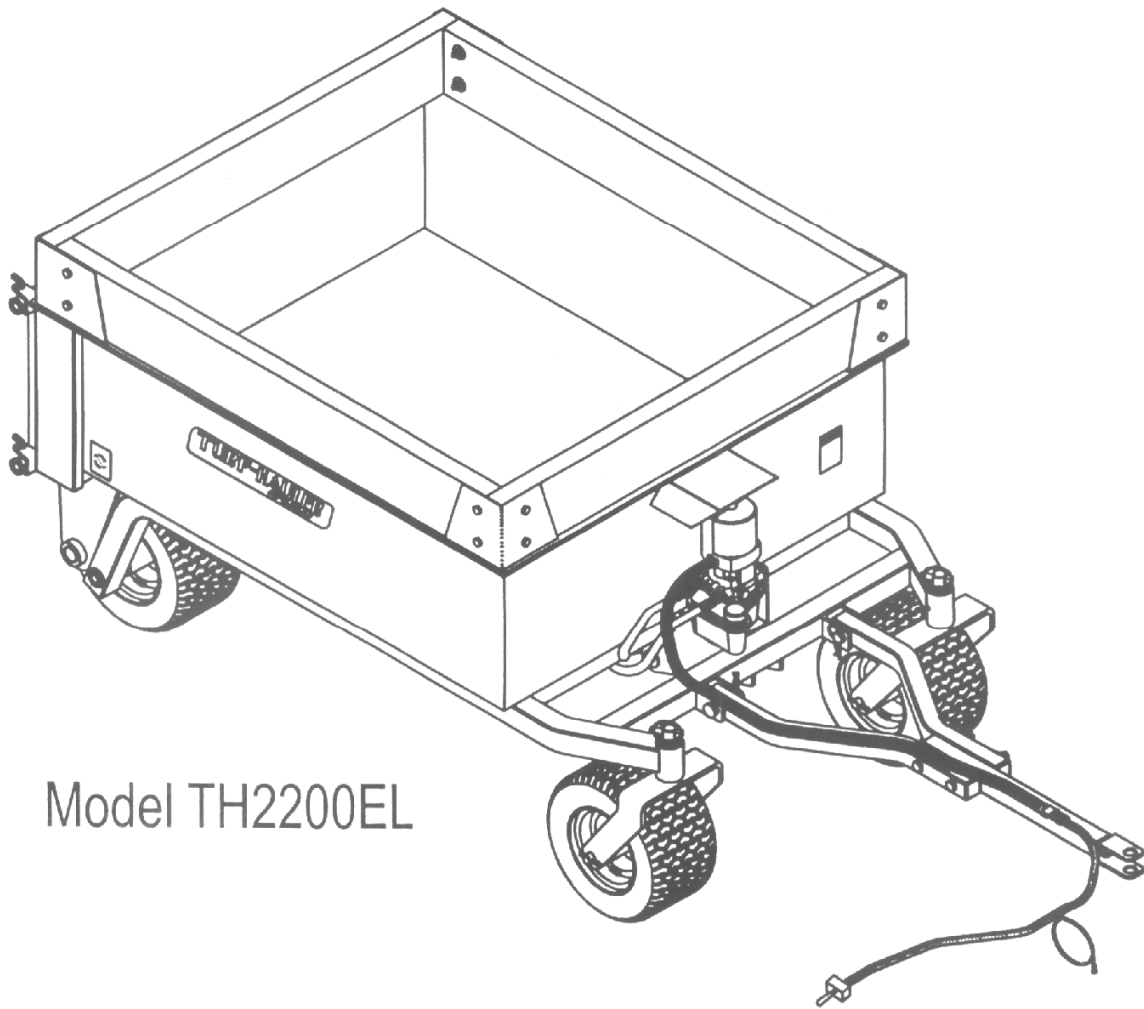


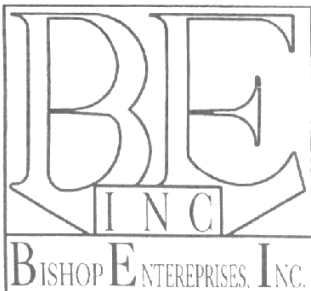
TURF-HAULER

Commercial Utility Trailer

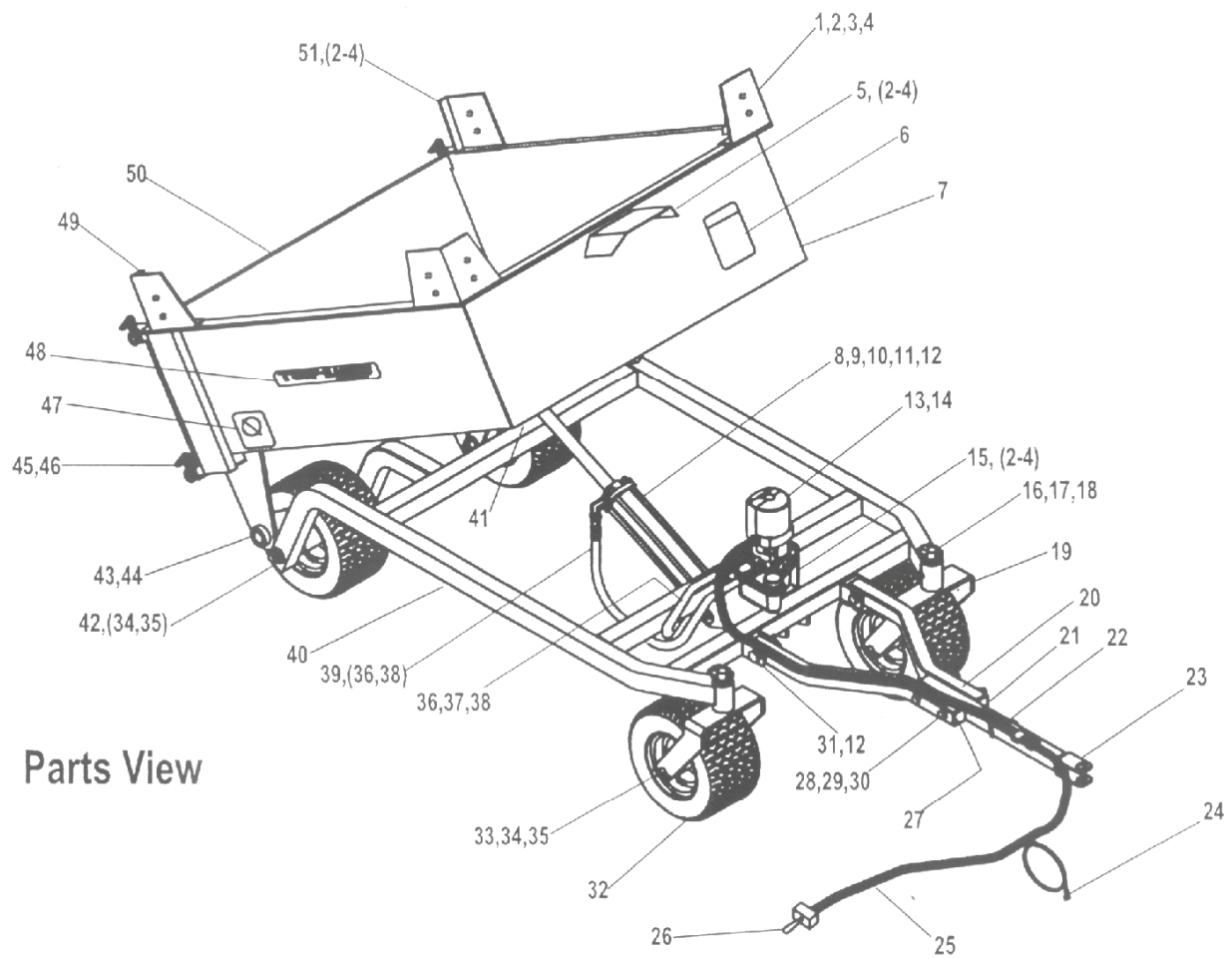
Owner's Manual



Model TH2200EL



Bishop Enterprises, Inc.
9033 Shelbyville Hwy.
Bell Buckle, TN. 37020
Tel.: 615-793-6052
Fx.: 615-793-9525



Parts View

Parts List

Item	Part Name	Part #	Qty.	Item	Part Name	Part #	Qty.
1	Corner Side Board Bkt.	033015	2	27	Tube Plug - Plastic	031106	2
2	1/4-20 x 1" HHD Bolt	033049	12	28	1/2-13 x 5-1/2" HHD Bolt	031103	2
3	1/4" Flat Washer	033050	12	29	1/2-13 Hex Nut	030049	2
4	1/4" Hex Nut	030059	12	30	1/2" Lock Washer	030043	2
5	Hydraulic Pump Cover	033007	1	31	Clevis Pin	034027	2
6	Warning Decal	033011	1	32	Wheel Assembly	033020	4
7	Dump Bed	033001	1	33	3/4" Flat Washer	030099	4
8	Cylinder	033029	1	34	Front Axle	033006	2
9	Lower Cylinder Pin	033034	1	35	Roll Pin	033021	4
10	Upper Cylinder Pin	033035	1	36	Elbow Fitting	031068	2
11	Hairpin Clip - Upper	033047	2	37	Hose (25")	033039	1
12	Hairpin #12 - Lower	033061	3	38	Triple-Lok Connector	031031	2
13	Hydraulic Pump	031029	1	39	Hose (35")	033037	1
14	3/8-16 x 1/2" Bolt	033033	2	40	Turf-Hauler Frame	033003	1
15	Pump Mounting Bracket	033008	1	41	Spacer	033048	2
16	Lynch Pin	033022	2	42	Rear Axle	033005	2
17	Bushing	033023	4	43	Hinge Pin	033031	2
18	Grease Zerk	031011	2	44	Collar	033019	2
19	Yoke	033004	2	45	Tailgate Pin	033038	4
20	Tow Hitch Arm	033009	2	46	Hairpin #5	033060	4
21	Pump Electrical Harness	033045	1	47	Caution Decal	033012	2
22	Wire Tie	033024	1	48	Turf-Hauler Logo Decal	033013	3
23	Tow Arm	033010	1	49	Right Side Board Bkt.	033016	1
24	Battery Terminals	033025	2	50	Tailgate	033002	1
25	Tow Vehicle Electrical Harness	033046	1	51	Left Side Board Bkt.	033017	1
26	Toggle Switch	031034	1				

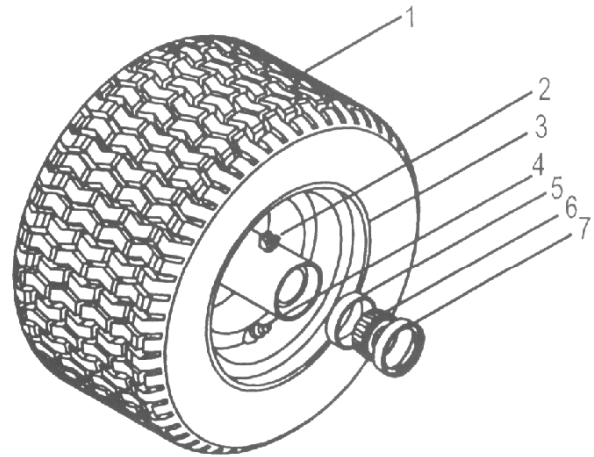
Warning! Caution!

- ▶ **DO NOT** allow children or persons without proper instruction operate the unit.
- ▶ **DO NOT** tow this unit at speeds in excess of 10 M.P.H. (16 km/h).
- ▶ **Be AWARE** of your surroundings. Watch out for holes or deep depressions in the landscape. Inspect area for objects that may present a safety hazard or cause damage to the unit (large rocks, cans, bottles, etc.). **AVOID** rough terrain.
- ▶ **DO NOT** leave towing vehicle unattended while engine is running.
- ▶ **DO NOT** permit persons to ride in the dump bed or on the frame at any time.

Tire pressure is a maximum of 28 p.s.i.. Tires are 13.00 x 6.50 x 4 ply. These type of tires are not designed for highway use. Keep the tires inflated to the recommended rating.

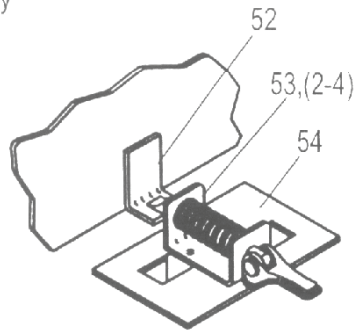
NOTE: Proper maintenance and responsible storage of your Turf-Hauler Utility Trailer will extend its life and performance.

Turf-Hauler Wheel Assembly



Item	Part Name	Part #	Qty
1	Tire	033036	1
2	Grease Zerk	033040	1
3	Hub	033018	1
4	Valve Stem	033041	1
5	Race	033042	2
6	Bearing	033043	2
7	Seal	033044	2

Item	Part Name	Part #	Qty
52	Latch Tab	033027	1
53	Latch Plate	033028	1
54	Trip Latch	033030	1



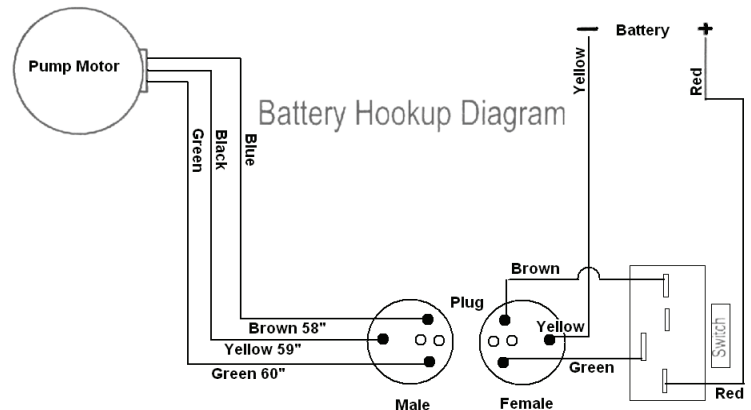
Tripper Latch Assembly for units without hydraulic pump system

Service & Parts Information

All information, illustrations and specifications contained herein are based on the most current product information available at the time of publishing. Bishop Enterprises, Inc., reserves the right to make changes at any time and without prior notice. If a change has been made to your Turf-Hauler which is not reflected in this operators manual or the associated illustrated parts list, see your Turf-Hauler distributor/dealer for current information and updates.

Turf-Hauler products should NEVER be modified in any way (other than installing any of the factory authorized kits listed in this manual) without the manufacturer's authorization. Use only original equipment (O.E.M.) replacement parts, if necessary. Remember: All warranty repair and service must be performed by an authorized dealer.

Note: - Any unauthorized alterations or modifications to the Turf-Hauler releases Bishop Enterprises, Inc., from any warranty agreement and liability resulting from use of the modified equipment.



Properly fill Hydraulic Pump reservoir with 15-50 hydraulic fluid. **CAUTION: DO NOT OVERFILL.** Cycle pump and add fluid if needed. During very cold temperatures It may be necessary to cycle hydraulic system prior to loading to insure proper operation.

Additional copies of this manual are available for a nominal fee. Please contact: Bishop Enterprises, Inc., 9033 Shelbyville Highway, Bell Buckle, Tennessee. 37020. Re: Turf-Hauler Owner's Manual.

Limited Warranty

Bishop Enterprises, Inc. (hereinafter referred to as "Bishop") warrants for one (1) year all new Turf-Hauler units. This warranty extends to the original retail purchaser only and commences on the date of original retail purchase. Accordingly, this warranty is not transferable to any subsequent purchasers.

Any part of the Turf-Hauler unit or accessory manufactured by Bishop and found in the reasonable judgment of Bishop to be defective in material or workmanship will be repaired or replaced by an authorized Turf-Hauler distributor/dealer without charge for parts and labor. The Turf-Hauler unit, including any defective part, must be returned to an authorized Turf-Hauler distributor/dealer within the warranty period of one-year. The owner/operator will be responsible for the expense of returning the Turf-Hauler unit to an authorized distributor/dealer for warranty service, as well as the expense for having it returned to them after said repair or replacement.

Bishop's responsibility is limited to making the required repairs or replacements. No claim of breach of warranty shall be cause for cancellation or rescission of the contract of sale of any Turf-Hauler unit. Proof of purchase will be required by the authorized Turf-Hauler distributor/dealer to substantiate any warranty claim and all warranty work must be performed by an authorized Turf-Hauler distributor/dealer.

Bishop makes no warranty with respect to engines, tires, or other parts not of their manufacture. (Such parts are usually warranted separately by their respective manufacturers.) This warranty does not include service items subject to normal wear (i.e., tires). This warranty does not cover any Turf-Hauler unit that has been subject to misuse, neglect, negligence, or accident, or that has been operated or maintained in any way contrary to the operating or maintenance instructions as specified in the Turf-Hauler Operator's Manual. The warranty does not apply to any Turf-Hauler unit that has been altered or modified so as to adversely affect the units's operation, performance, or durability or that has been altered or modified so as to change its intended use. In addition, the warranty does not extend to repairs made necessary by normal wear, or by the use of parts or accessories which, in the reasonable judgment of Bishop, are either incompatible with the Turf-Hauler unit or adversely affect its ability to function properly.

Bishop reserves the right to change or improve the design of any Turf-Hauler unit, without prior notice, and without assuming any obligation to modify any unit previously manufactured.

All implied warranties are limited in duration to the applicable one-year period. All implied warranties, including merchantability, fitness for a particular purpose or otherwise, are disclaimed in their entirety after the expiration of the one-year warranty period. Bishop's obligation under this warranty is strictly and exclusively limited to the repair or replacement of defective parts, and Bishop does not assume or authorize anyone to assume for them any other obligation.